

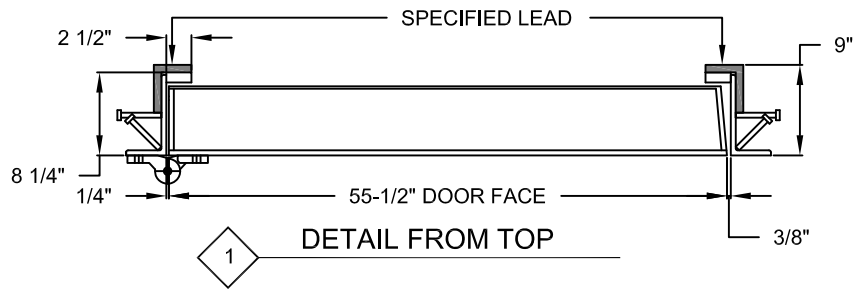
Custom Neutron Doors
With
Brookfield Operators & Hinges

Generic Drawings & Specifications
Partial Set

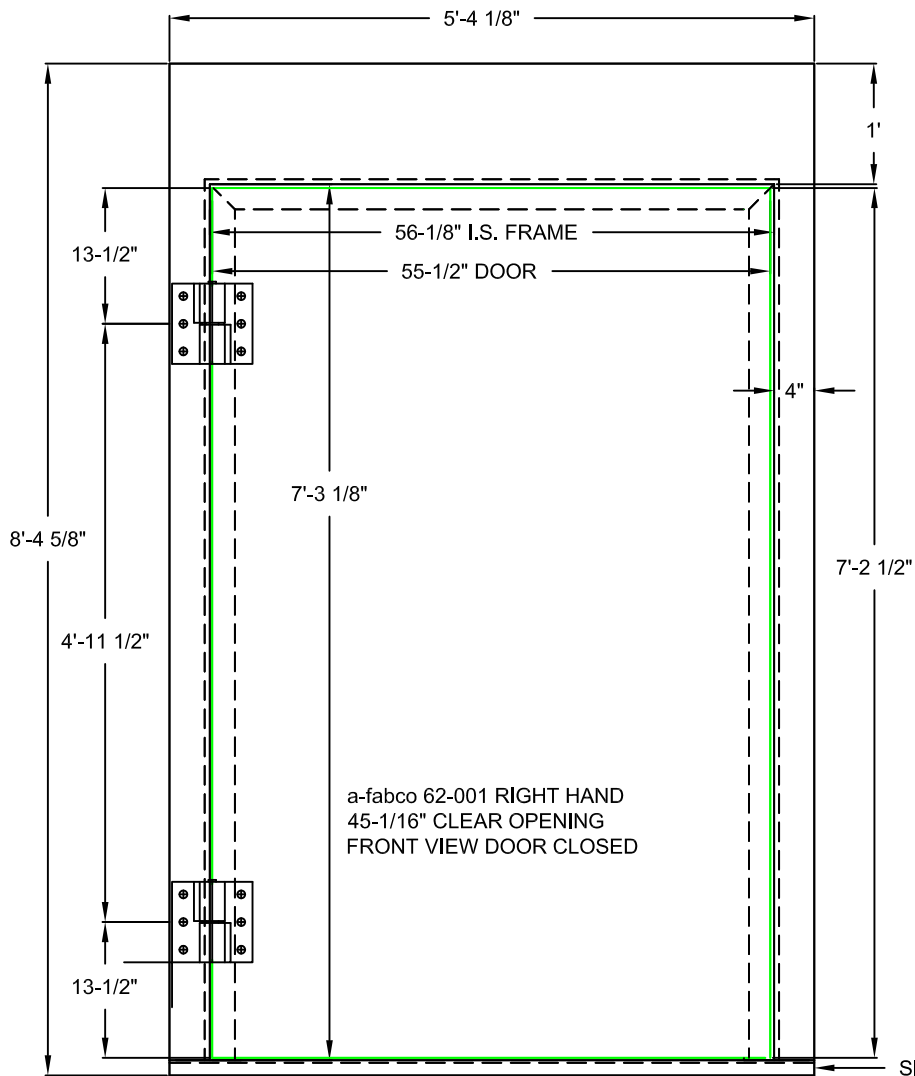
Phone (800) 330-5323 (813) 677-8790

Fax (813) 671-1865

a-fabco 62-001 NEUTRON DOOR
 RIGHT HAND - 45-1/16" CLEAR
 OPENING PLAN VIEW DOOR CLOSED



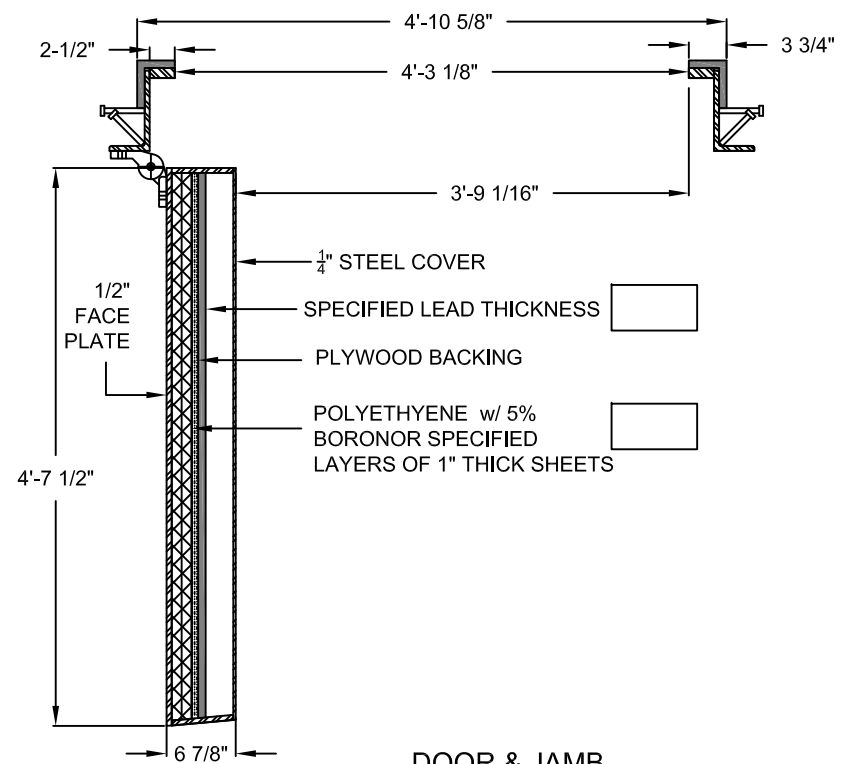
1
 DETAIL FROM TOP



a-fabco 62-001 RIGHT HAND
 45-1/16" CLEAR OPENING
 FRONT VIEW DOOR CLOSED

3
 FRONT DETAIL

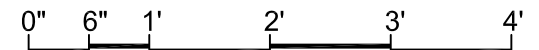
a-fabco 62-001 RIGHT HAND
 45-1/16" CLEAR OPENING
 PROTECTION LAYERS DETAIL
 DOOR OPEN



2
 DOOR & JAMB
 PROTECTION DETAIL

DOOR IS SHOWN WITH
 BROOKFIELD W-125 HINGES.

SPECIAL NOTE: LEAD AND
 POLYBORON POSITION WITHIN
 THE DOOR TO BE DETERMINED BY
 YOUR PHYSICIST.

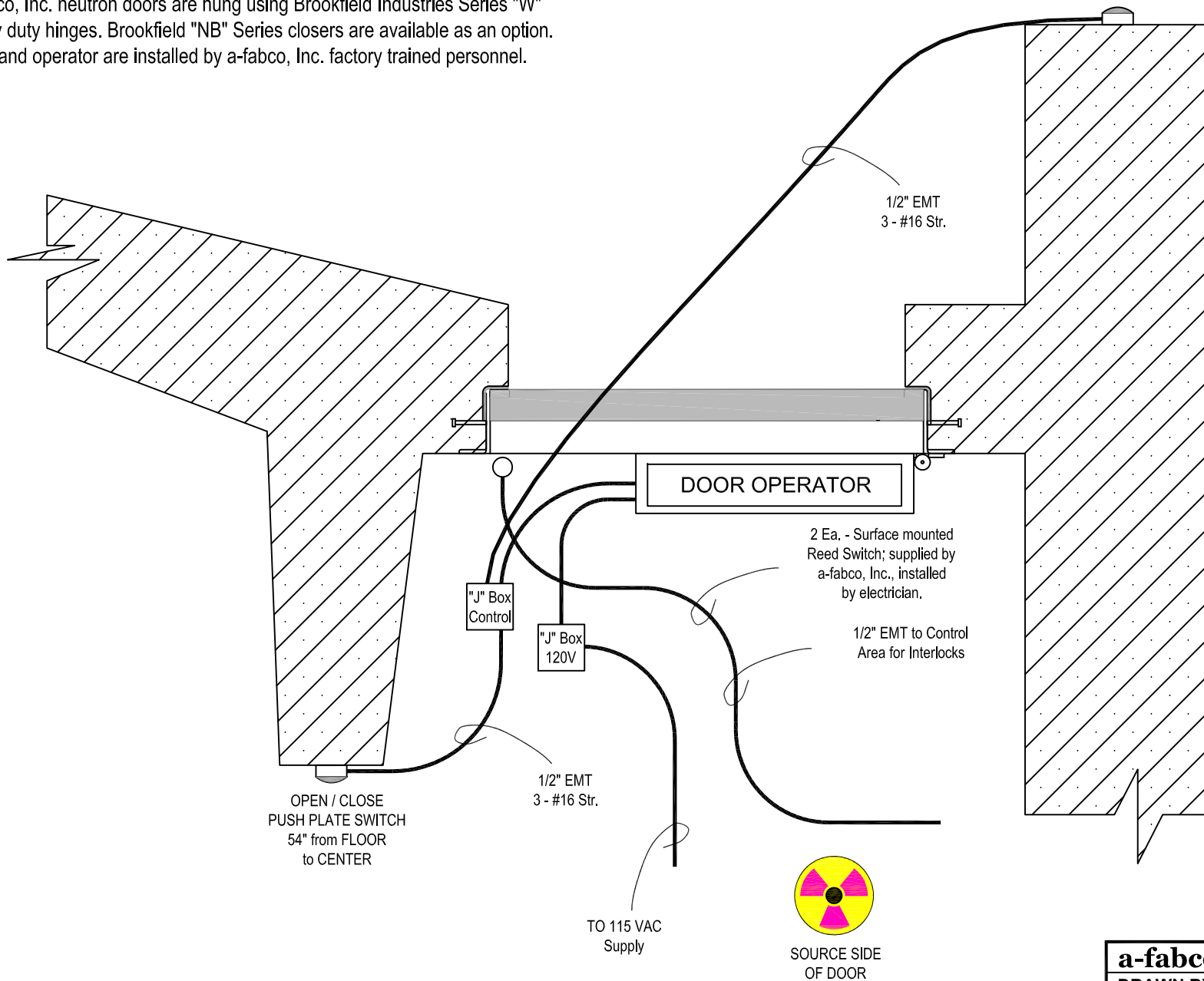


DRAWING IS TO SCALE, PRINT MAY NOT BE.

a-fabco, inc.
DRAWN BY: ALLEN LYNCH
CLIENT :-
PROJ: -
SUBJ: NEUTRON DOOR RH SWING
DATE : Rev. September 3, 2008

a-fabco, Inc. neutron doors are hung using Brookfield Industries Series "W" heavy duty hinges. Brookfield "NB" Series closers are available as an option. Door and operator are installed by a-fabco, Inc. factory trained personnel.

OPEN / CLOSE
PUSH PLATE SWITCH
54" from FLOOR
to CENTER



0" 6" 1' 2' 3' 4'

DRAWING IS TO SCALE, PRINT MAY NOT BE.

a-fabco, inc.
DRAWN BY: ALLEN LYNCH
CLIENT : _
PROJ: LH VAULT DOOR
SUBJ: VAULT OPERATOR WIRING
DATE : October 2, 2008